

# Quick Start Guide

## BSH380 Stereo Bluetooth Headset

### Introduction

With Bluetooth wireless technology, BSH380 gives you the convenient wireless way to enjoy the streaming stereo music transmitted from the Bluetooth A2DP<sup>\*1</sup> device such as mobile phone, mp3 player, PC or PDA in the available range.

Moreover, you can use BSH380 to remote control the music playing functions of your Bluetooth device that supports Bluetooth AVRCP<sup>\*2</sup>.

Switching between music and phone calls, BSH380 also allows you answer or make calls with the Bluetooth-enabled mobile phone<sup>\*3</sup> while you are listening to music. After you ended the call, the music will follow to be streamed in few seconds<sup>\*4</sup>. Besides the wireless stereo and mobile hands-free applications, you can apply the BSH380 to the Bluetooth-enabled PC<sup>\*5</sup> with the Internet messenger such as Skype, MSN Messenger or *Yahoo!* Messenger.

Notes:

\*1 The playback or its plug-in Bluetooth adapter/transmitter needs to support Bluetooth A2DP (Advanced Audio Distribution Profile).

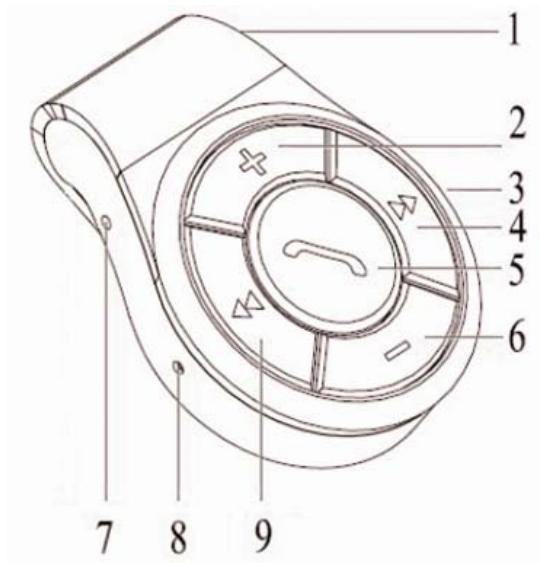
\*2 The playback or its plug-in Bluetooth adapter/transmitter needs to support Bluetooth AVRCP (Audio Video Remote Control Profile).

\*3 The mobile phone needs to support Bluetooth HSP (Headset Profile) or HFP (Hands-free Profile) and support Bluetooth A2DP (Advanced Audio Distribution Profile).

\*4 Some mobile phones do not release the connection switch function to the headset, which will cause the headset to fail to switch the Bluetooth connection between music and call.

\*5 The computer or its plug-in Bluetooth adapter needs to support Bluetooth HSP (Headset Profile).

### Product overview



1. Audio port
2. Volume +
3. Microphone
4. Forward/ Next song
5. Multi-function button (MFB)/ Play/Pause
6. Volume -
7. Microphone
8. Charging port
9. Backward/ Last song

## **How to Charge this Bluetooth Headset**

The Bluetooth headset BSH380 has Built-in rechargeable battery.

Before using for the first time, you have to fully charge the battery for 2-3 hours.

BSH380 can provide up to 8 hours of listening time and over 150 hours of standby time.

## **Charging Instruction**

- 1) Connect the power charging ports with a power source (USB charger or AC charger). When charging, the RED LED will be on.
- 2) When the headset is fully charged, the Red LED indicator will be OFF and Blue LED will be on. Disconnect the charger from the power source.

## **Battery Indication**

The RED LED will remain ON while the Bluetooth Headset being charged, and when the battery is fully charged, RED LED will be OFF, Blue LED will be on.

The RED LED will flash continuously when battery power is low.

## **How to use Bluetooth Headset along with your mobile phone**

### **Power on**

When the headset is off, long press the MFB button until the blue LED flickers to turn it on.

### **Enter pairing mode**

When the headset is off, long press the MFB button until the blue and red LED flicker alternatively. It means the Bluetooth Headset is in Pairing Mode.

### **Pair with the Mobile Phone**

The pairing distance between mobile phone & the headset should be within 1m.

Power on the Bluetooth headset until the red and blue lights flicker alternately and then come to the pairing mode for the first time, from then on it would come to an automatic pairing only with the green light flickers.

Switch to the mobile phone to the Bluetooth function and activate searching until the mobile phone finds the earphone model for connection; if necessary, input the password "0000".

### **Receive a Call**

When there is a call, press the multi-function button of the earphone to receive it.

### **End a Call**

After the call is over, press the multi-function button to end it.

### **Reject incoming call**

When there is a call, press the function key long to refuse it.

### **Redial a call**

In the standby mode, to redial the last outgoing call number, press the MFB button for twice and you hear 1 beep.

### **Voice Dialing**

In the standby mode, press the Bluetooth headset function key long for 2 seconds to activate the voice dialing function.

### **Music Function**

- Play/Pause: In the standby mode, press the multi-function button shortly to activate music play, again to pause.
- Previous/Next: Press the Previous/Next key shortly to realize such function.
- Volume +/-: Press the Volume +/- key shortly to realize the volume +/- function.

### **Power off**

Press the function key until the red light flickers, then the device is powered off.

### **Trouble-shooting**

If you are unable to connect your Bluetooth Headset with your Bluetooth audio device, please try the following:

- Ensure your headset is turn on and is properly charged.
- Ensure the Bluetooth headset is in pairing mode when you try to pair it with your mobile. If the headset is left with blue & red LED flashing alternatively but not being paired for over 3 minutes, the headset will be shut off automatically. You have to turn on the headset to enter the pairing mode again.
- Ensure the Bluetooth dongle or other device is paired with your stereo Bluetooth headset.
- Ensure your device is Bluetooth activated. Please refer to your device's user manual for instruction.
- Ensure the headset is within a maximum 10 meters (about 30 feet.) of your Bluetooth device and there are no obstructions, such as walls or other electronics devices in between.

If the above suggestions do not solve your problem, please recharge your BSH380 and Bluetooth audio device for a while, then start pairing again.