

**Sehr geehrte Kundin, sehr geehrter Kunde,**

vielen Dank für den Kauf dieses Internetradios. Damit holen Sie sich die große weite Welt der Musik ganz einfach in Ihre Wohnung – ganz ohne PC.

Bitte lesen Sie die im Folgenden aufgeführten Hinweise und Tipps ausführlich durch.

Bitte beachten Sie, dass es sich hierbei lediglich um Anwendungshinweise zum sicheren Gebrauch handelt.

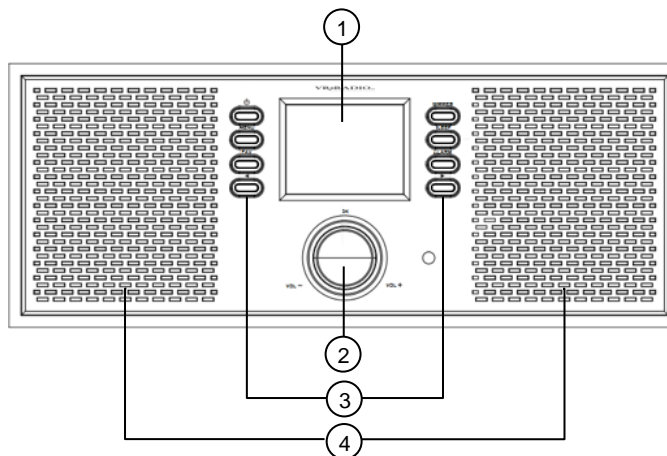
Damit Sie das Internetradio **optimal einsetzen können, laden Sie sich die Bedienungsanleitung vor Inbetriebnahme online herunter unter:**

[www.pearl.de/support](http://www.pearl.de/support).

Geben Sie dort im Suchfeld ZX-1822 bzw. ZX-1823 ein.

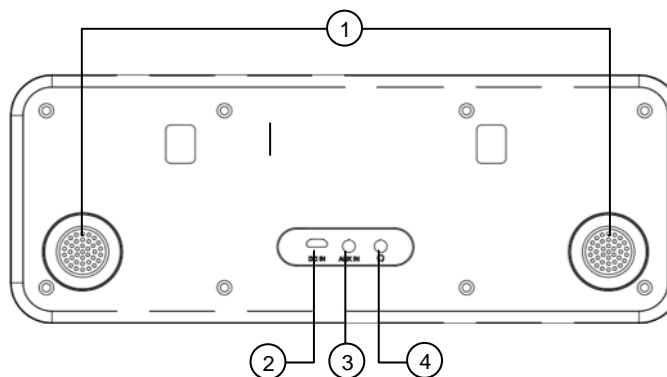
**Produktdetails**

**Vorderseite**



- 1. Display
- 2. Dreh-Drück-Knopf
- 3. Bedien-Tasten
- 4. Lautsprecher

**Rückseite**



- 1. Rückseitige Lautsprecher-Ausgänge
- 2. Micro-USB-Anschluss
- 3. AUX-Eingang
- 4. Kopfhörer-Ausgang

**Technische Daten**

Stromversorgung	Internetradio	5 Volt DC via USB
	Netzteil	100 – 240 Volt AC, 50/60 Hz
	Fernbedienung	1 Knopfzelle CR2025
Schutzklasse III		Schutz durch Kleinspannung
Bluetooth-Version	5	
WLAN-Standards	IEEE 801.11b/g/n	
Funkfrequenz	2.402 – 2.480 MHz	
Sendeleistung	4 dBm	
Ausgangsleistung Lautsprecher	2x 2 Watt (RMS)	
Musik-Spitzenleistung	12 Watt	
Gehäuse-Material	Holz, Kunststoff	
Maße Radio	ca. 28 x 11,5 x 10,5 cm	
Gewicht Radio	ca. 1,2 kg	

**Allgemeine Sicherheitshinweise**

- Diese Produktinformation dient dazu, Sie mit der Funktionsweise dieses Produktes vertraut zu machen. Sie enthält wichtige Hinweise für den Gebrauch, die Sicherheit und die Wartung des Gerätes. Bewahren Sie diese Anleitung daher gut auf, damit Sie jederzeit darauf zugreifen können. Geben Sie sie an Nachbenutzer weiter.
- Das Produkt darf nur für den vorgesehenen Zweck, gemäß dieser Gebrauchsanweisung, verwendet werden.
- Bitte beachten Sie beim Gebrauch die Sicherheitshinweise.
- Überprüfen Sie vor der Inbetriebnahme das Gerät und seine Anschlussleitung sowie Zubehör auf Beschädigungen.
- Verwenden Sie das Gerät nicht, wenn es sichtbare Schäden aufweist.
- Betreiben Sie das Gerät nur an haushaltsüblichen Steckdosen. Prüfen Sie vor der Inbetriebnahme, ob die auf dem Typenschild angegebene Netzspannung mit der Ihres Stromnetzes übereinstimmt.



- Achten Sie darauf, die Anschlussleitung nicht zu quetschen und nicht über scharfen Kanten oder heiße Oberflächen zu ziehen. Verwenden Sie die Anschlussleitung nicht zum Tragen.
- Wenn die Netzanschlussleitung dieses Gerätes beschädigt wird, muss sie durch den Hersteller oder seinen Kundendienst oder eine ähnlich qualifizierte Person ersetzt werden, um Gefährdungen zu vermeiden.
- Ziehen Sie den Netzstecker des Gerätes
  - nach jedem Gebrauch,
  - bei Störungen während des Betriebes,
  - vor jeder Reinigung des Gerätes.
- Ziehen Sie den Stecker nie am Netzkabel oder mit nassen Händen aus der Steckdose.
- Das Gerät ist ausschließlich für den Haushaltsgebrauch oder ähnliche Verwendungszwecke bestimmt. Es darf nicht für gewerbliche Zwecke verwendet werden!
- Das Gerät ist nur zur Verwendung in Innenräumen geeignet.
- Achten sie darauf, dass das Gerät beim Betrieb eine gute Standfestigkeit besitzt und nicht über das Netzkabel gestolpert werden kann.
- Benutzen Sie das Gerät niemals nach einer Fehlfunktion, z.B. wenn das Gerät ins Wasser oder heruntergefallen ist oder auf eine andere Weise beschädigt wurde.
- Der Hersteller übernimmt keine Verantwortung bei falschem Gebrauch, der durch Nichtbeachtung der Gebrauchsanleitung zustande kommt.
- Ein Umbauen oder Verändern des Gerätes beeinträchtigt die Produktsicherheit. Achtung Verletzungsgefahr!
- Alle Änderungen und Reparaturen an dem Gerät oder Zubehör dürfen nur durch den Hersteller oder von durch ihn ausdrücklich hierfür autorisierte Personen durchgeführt werden.
- Achten Sie darauf, dass das Gerät an einer Steckdose betrieben wird die leicht zugänglich ist, damit Sie das Gerät im Notfall schnell vom Netz trennen können.
- Öffnen Sie das Gerät nie eigenmächtig, außer zum Batterie-wechsel. Führen Sie Reparaturen nie selbst aus!

- Behandeln Sie das Gerät sorgfältig. Es kann durch Stöße, Schläge oder Fall aus bereits geringer Höhe beschädigt werden.
- Halten Sie das Gerät fern von Feuchtigkeit und extremer Hitze.
- Tauchen Sie das Gerät niemals in Wasser oder andere Flüssigkeiten.
- Nehmen Sie die Batterien aus dem Gerät, bevor Sie es lagern.
- Technische Änderungen und Irrtümer vorbehalten.

### Wichtige Hinweise zur Entsorgung

Dieses Elektrogerät gehört **nicht** in den Hausmüll. Für die fachgerechte Entsorgung wenden Sie sich bitte an die öffentlichen Sammelstellen in Ihrer Gemeinde. Einzelheiten zum Standort einer solchen Sammelstelle und über ggf. vorhandene Mengenbeschränkungen pro Tag/Monat/Jahr entnehmen Sie bitte den Informationen der jeweiligen Gemeinde.

### Konformitätserklärung

Hiermit erklärt PEARL GmbH, dass sich die Produkte ZX-1822-675 und ZX-1823-675 in Übereinstimmung mit der RoHS-Richtlinie 2011/65/EU, der EMV-Richtlinie 2014/30/EU, der Niederspannungsrichtlinie 2014/35/EU, der Ökodesignrichtlinie 2009/125/EG und der Funkanlagen-Richtlinie 2014/53/EU befinden.

*Kurtasz, A.*

Qualitätsmanagement  
Dipl. Ing. (FH) Andreas Kurtasz

Die ausführliche Konformitätserklärung finden Sie unter [www.pearl.de/support](http://www.pearl.de/support). Geben Sie dort im Suchfeld die Artikelnummer ZX-1822 bzw. ZX-1823 ein.

Informationen und Antworten auf häufige Fragen (FAQs) zu vielen unserer Produkte sowie ggfs. aktualisierte Handbücher finden Sie auf der Internetseite:

**[www.vr-radio.de](http://www.vr-radio.de)**

Geben Sie dort im Suchfeld die Artikelnummer oder den Artikelnamen ein.

### GPL-Lizenztext

Wir senden Ihnen auf Anforderung (gerne unter [opensource@pearl.de](mailto:opensource@pearl.de)) den Source Code auch auf einem handelsüblichen Datenträger, dessen Herstellungskosten wir im Gegenzug geltend machen. Den vollständigen Lizenztext ersehen Sie nachfolgend. Näheres, insbesondere auch dazu, warum es keine offizielle deutsche Übersetzung der Lizenzbedingungen gibt, erfahren Sie unter <http://www.gnu.org/licenses/gpl-2.0.html>. Da es sich um freie Software handelt, schließen die Entwickler dieser Software die Haftung, soweit gesetzlich zulässig, aus. Bitte beachten Sie, dass die Gewährleistung für die Hardware davon natürlich nicht betroffen ist und in vollem Umfang besteht. Weitere Fragen beantworten wir Ihnen gerne unter [opensource@pearl.de](mailto:opensource@pearl.de).

GNU GENERAL PUBLIC LICENSE  
Version 2, June 1991

Copyright (C) 1989, 1991 Free Software Foundation, Inc.,  
51 Franklin Street, Fifth Floor, Boston, MA 02110-1301 USA  
Everyone is permitted to copy and distribute verbatim copies  
of this license document, but changing it is not allowed.

#### Preamble

The licenses for most software are designed to take away your freedom to share and change it. By contrast, the GNU General Public License is intended to guarantee your freedom to share and change free software--to make sure the software is free for all its users. This General Public License applies to most of the Free Software Foundation's software and to any other program whose authors commit to using it. (Some other Free Software Foundation software is covered by the GNU Lesser General Public License instead.) You can apply it to your programs, too.

When we speak of free software, we are referring to freedom, not price. Our General Public Licenses are designed to make sure that you have the freedom to distribute copies of free software (and charge for this service if you wish), that you receive source code or can get it if you want it, that you can change the software or use pieces of it in new free programs; and that you know you can do these things.

To protect your rights, we need to make restrictions that forbid anyone to deny you these rights or to ask you to surrender the rights. These restrictions translate to certain responsibilities for you if you distribute copies of the software, or if you modify it.

For example, if you distribute copies of such a program, whether gratis or for a fee, you must give the recipients all the rights that you have. You must make sure that they, too, receive or can get the source code. And you must show them these terms so they know their rights.

We protect your rights with two steps: (1) copyright the software, and (2) offer you this license which gives you legal permission to copy, distribute and/or modify the software.

Also, for each author's protection and ours, we want to make certain that everyone understands that there is no warranty for this free software. If the software is modified by someone else and passed on, we want its recipients to know that what they have is not the original, so that any problems introduced by others will not reflect on the original authors' reputations.

Finally, any free program is threatened constantly by software patents. We wish to avoid the danger that redistributors of a free program will individually obtain patent licenses, in effect making the program proprietary. To prevent this, we have made it clear that any patent must be licensed for everyone's free use or not licensed at all.

The precise terms and conditions for copying, distribution and modification follow.

#### GNU GENERAL PUBLIC LICENSE TERMS AND CONDITIONS FOR COPYING, DISTRIBUTION AND MODIFICATION

0. This License applies to any program or other work which contains a notice placed by the copyright holder saying it may be distributed under the terms of this General Public License. The "Program", below, refers to any such program or work, and a "work based on the Program" means either the Program or any derivative work under copyright law: that is to say, a work containing the Program or a portion of it, either verbatim or with modifications and/or translated into another language. (Hereinafter, translation is included without limitation in the term "modification".) Each licensee is addressed as "you".

Activities other than copying, distribution and modification are not covered by this License; they are outside its scope. The act of running the Program is not restricted, and the output from the Program is covered only if its contents constitute a work based on the Program (independent of having been made by running the Program). Whether that is true depends on what the Program does.

1. You may copy and distribute verbatim copies of the Program's source code as you receive it, in any medium, provided that you conspicuously and appropriately publish on each copy an appropriate copyright notice and disclaimer of warranty; keep intact all the notices that refer to this License and to the absence of any warranty; and give any other recipients of the Program a copy of this License along with the Program.

You may charge a fee for the physical act of transferring a copy, and you may at your option offer warranty protection in exchange for a fee.

2. You may modify your copy or copies of the Program or any portion of it, thus forming a work based on the Program, and copy and distribute such modifications or work under the terms of Section 1 above, provided that you also meet all of these conditions:

- You must cause the modified files to carry prominent notices stating that you changed the files and the date of any change.
- You must cause any work that you distribute or publish, that in whole or in part contains or is derived from the Program or any part thereof, to be licensed as a whole at no charge to all third parties under the terms of this License.
- If the modified program normally reads commands interactively when run, you must cause it, when started running for such interactive use in the most ordinary way, to print or display an announcement including an appropriate copyright notice and a notice that there is no warranty (or else, saying that you provide a warranty) and that users may redistribute the program under these conditions, and telling the user how to view a copy of this License. (Exception: if the program itself is interactive but does not normally print such an announcement, your work based on the Program is not required to print an announcement.)

These requirements apply to the modified work as a whole. If identifiable sections of that work are not derived from the Program, and can be reasonably considered independent and separate works in themselves, then this License, and its terms, do not apply to those sections when you distribute them as separate works. But when you distribute the same sections as part of a whole which is a work based on the Program, the distribution of the whole must be on the terms of this License, whose permissions for other licensees extend to the entire whole, and thus to each and every part regardless of who wrote it.

Thus, it is not the intent of this section to claim rights or contest your rights to work written entirely by you; rather, the intent is to exercise the right to control the distribution of derivative or collective works based on the Program.

In addition, mere aggregation of another work not based on the Program with the Program (or with a work based on the Program) on a volume of a storage or distribution medium does not bring the other work under the scope of this License.

3. You may copy and distribute the Program (or a work based on it, under Section 2) in object code or executable form under the terms of Sections 1 and 2 above provided that you also do one of the following:

- Accompany it with the complete corresponding machine-readable source code, which must be distributed under the terms of Sections 1 and 2 above on a medium customarily used for software interchange; or,
- Accompany it with a written offer, valid for at least three years, to give any third party, for a charge no more than your cost of physically performing source distribution, a complete machine-readable copy of the corresponding source code, to be distributed under the terms of Sections 1 and 2 above on a medium customarily used for software interchange; or,
- Accompany it with the information you received as to the offer to distribute corresponding source code. (This alternative is allowed only for noncommercial distribution and only if you received the program in object code or executable form with such an offer, in accord with Subsection b above.)

The source code for a work means the preferred form of the work for making modifications to it. For an executable work, complete source code means all the source code for all modules it contains, plus any associated interface definition files, plus the scripts used to control compilation and installation of the executable. However, as a special exception, the source code distributed need not include anything that is normally distributed (in either source or binary form) with the major components (compiler, kernel, and so on) of the operating system on which the executable runs, unless that component itself accompanies the executable.

If distribution of executable or object code is made by offering access to copy from a designated place, then offering equivalent access to copy the source code from the same place counts as distribution of the source code, even though third parties are not compelled to copy the source along with the object code.

4. You may not copy, modify, sublicense, or distribute the Program except as expressly provided under this License. Any attempt otherwise to copy, modify, sublicense or distribute the Program is void, and will automatically terminate your rights under this License. However, parties who have received copies, or rights, from you under this License will not have their licenses terminated so long as such parties remain in full compliance.

5. You are not required to accept this License, since you have not signed it. However, nothing else grants you permission to modify or distribute the Program or its derivative works. These actions are prohibited by law if you do not accept this License. Therefore, by modifying or distributing the Program (or any work based on the Program), you indicate your acceptance of this License to do so, and all its terms and conditions for copying, distributing or modifying the Program or works based on it.

6. Each time you redistribute the Program (or any work based on the Program), the recipient automatically receives a license from the original licensor to copy, distribute or modify the Program subject to these terms and conditions. You may not impose any further restrictions on the recipients' exercise of the rights granted herein. You are not responsible for enforcing compliance by third parties to this License.

7. If, as a consequence of a court judgment or allegation of patent infringement or for any other reason (not limited to patent issues), conditions are imposed on you (whether by court order, agreement or otherwise) that contradict the conditions of this License, they do not excuse you from the conditions of this License. If you cannot distribute so as to satisfy simultaneously your obligations under this License and any other pertinent obligations, then as a consequence you may not distribute the Program at all. For example, if a patent license would not permit royalty-free redistribution of the Program by all those who receive copies directly or indirectly through you, then the only way you could satisfy both it and this License would be to refrain entirely from distribution of the Program.

If any portion of this section is held invalid or unenforceable under any particular circumstance, the balance of the section is intended to apply and the section as a whole is intended to apply in other circumstances.

It is not the purpose of this section to induce you to infringe any patents or other property right claims or to contest validity of any such claims; this section has the sole purpose of protecting the integrity of the free software distribution system, which is implemented by public license practices. Many people have made generous contributions to the wide range of software distributed through that system in reliance on consistent application of

that system; it is up to the author/donor to decide if he or she is willing to distribute software through any other system and a licensee cannot impose that choice.

This section is intended to make thoroughly clear what is believed to be a consequence of the rest of this License.

8. If the distribution and/or use of the Program is restricted in certain countries either by patents or by copyrighted interfaces, the original copyright holder who places the Program under this License may add an explicit geographical distribution limitation excluding those countries, so that distribution is permitted only in or among countries not thus excluded. In such case, this License incorporates the limitation as if written in the body of this License.

9. The Free Software Foundation may publish revised and/or new versions of the General Public License from time to time. Such new versions will be similar in spirit to the present version, but may differ in detail to address new problems or concerns.

Each version is given a distinguishing version number. If the Program specifies a version number of this License which applies to it and "any later version", you have the option of following the terms and conditions either of that version or of any later version published by the Free Software Foundation. If the Program does not specify a version number of this License, you may choose any version ever published by the Free Software Foundation.

10. If you wish to incorporate parts of the Program into other free programs whose distribution conditions are different, write to the author to ask for permission. For software which is copyrighted by the Free Software Foundation, write to the Free Software Foundation; we sometimes make exceptions for this. Our decision will be guided by the two goals of preserving the free status of all derivatives of our free software and of promoting the sharing and reuse of software generally.

#### NO WARRANTY

11. BECAUSE THE PROGRAM IS LICENSED FREE OF CHARGE, THERE IS NO WARRANTY FOR THE PROGRAM, TO THE EXTENT PERMITTED BY APPLICABLE LAW. EXCEPT WHEN OTHERWISE STATED IN WRITING THE COPYRIGHT HOLDERS AND/OR OTHER PARTIES PROVIDE THE PROGRAM "AS IS" WITHOUT WARRANTY OF ANY KIND, EITHER EXPRESSED OR IMPLIED, INCLUDING, BUT NOT LIMITED TO, THE IMPLIED WARRANTIES OF MERCHANTABILITY AND FITNESS FOR A PARTICULAR PURPOSE. THE ENTIRE RISK AS TO THE QUALITY AND PERFORMANCE OF THE PROGRAM IS WITH YOU. SHOULD THE PROGRAM PROVE DEFECTIVE, YOU ASSUME THE COST OF ALL NECESSARY SERVICING, REPAIR OR CORRECTION.

12. IN NO EVENT UNLESS REQUIRED BY APPLICABLE LAW OR AGREED TO IN WRITING WILL ANY COPYRIGHT HOLDER, OR ANY OTHER PARTY WHO MAY MODIFY AND/OR REDISTRIBUTE THE PROGRAM AS PERMITTED ABOVE, BE LIABLE TO YOU FOR DAMAGES, INCLUDING ANY GENERAL, SPECIAL, INCIDENTAL OR CONSEQUENTIAL DAMAGES ARISING OUT OF THE USE OR INABILITY TO USE THE PROGRAM (INCLUDING BUT NOT LIMITED TO LOSS OF DATA OR DATA BEING RENDERED INACCURATE OR LOSSES SUSTAINED BY YOU OR THIRD PARTIES OR A FAILURE OF THE PROGRAM TO OPERATE WITH ANY OTHER PROGRAMS), EVEN IF SUCH HOLDER OR OTHER PARTY HAS BEEN ADVISED OF THE POSSIBILITY OF SUCH DAMAGES.

#### END OF TERMS AND CONDITIONS

#### How to Apply These Terms to Your New Programs

If you develop a new program, and you want it to be of the greatest possible use to the public, the best way to achieve this is to make it free software which everyone can redistribute and change under these terms.

To do so, attach the following notices to the program. It is safest to attach them to the start of each source file to most effectively convey the exclusion of warranty; and each file should have at least the "copyright" line and a pointer to where the full notice is found.

```
<one line to give the program's name and a brief idea of what it does.>
Copyright (C) <year> <name of author>
```

This program is free software; you can redistribute it and/or modify it under the terms of the GNU General Public License as published by the Free Software Foundation; either version 2 of the License, or (at your option) any later version.

This program is distributed in the hope that it will be useful, but WITHOUT ANY WARRANTY; without even the implied warranty of MERCHANTABILITY or FITNESS FOR A PARTICULAR PURPOSE. See the GNU General Public License for more details.

You should have received a copy of the GNU General Public License along with this program; if not, write to the Free Software Foundation, Inc., 51 Franklin Street, Fifth Floor, Boston, MA 02110-1301 USA.

Also add information on how to contact you by electronic and paper mail.

If the program is interactive, make it output a short notice like this when it starts in an interactive mode:

```
Gnomovision version 69, Copyright (C) year name of author Gnomovision comes with ABSOLUTELY NO
WARRANTY; for details type 'show w'. This is free software, and you are welcome to redistribute it under certain
conditions; type 'show c' for details.
```

The hypothetical commands 'show w' and 'show c' should show the appropriate parts of the General Public License. Of course, the commands you use may be called something other than 'show w' and 'show c'; they could even be mouse-clicks or menu items--whatever suits your program.

You should also get your employer (if you work as a programmer) or your school, if any, to sign a "copyright disclaimer" for the program, if necessary. Here is a sample; alter the names:

```
Yooyodnc, Inc., hereby disclaims all copyright interest in the program 'Gnomovision' (which makes passes at
compilers) written by James Hacker.
```

```
<signature of Ty Coon>, 1 April 1989
Ty Coon, President of Vice
```


This General Public License does not permit incorporating your program into proprietary programs. If your program is a subroutine library, you may consider it more useful to permit linking proprietary applications with the library. If this is what you want to do, use the GNU Lesser General Public License instead of this License.



**Chère cliente, cher client,**

Nous vous remercions d'avoir choisi cette radio Internet. Profitez d'une grande variété de musiques du monde entier dans toute votre maison et sans ordinateur.

Afin d'utiliser au mieux votre nouveau produit, veuillez lire attentivement ce mode d'emploi et respecter les consignes et astuces suivantes.



Il s'agit ici uniquement d'un guide de démarrage rapide.

La notice détaillée est disponible sur [www.pearl.fr/support/notices](http://www.pearl.fr/support/notices). Faites défiler le tableau qui s'affiche, ou effectuez une recherche sur la page en tapant la référence de l'article, ZX1822 ou ZX1823, dans le champ de recherche.

**Attention ! Pour pouvoir afficher le mode d'emploi complet, vous devez posséder un lecteur PDF, disponible gratuitement sur Internet. Vous pouvez télécharger et installer gratuitement le logiciel de lecture PDF le plus courant, Adobe Reader, ou bien Foxit Reader, également gratuit.**

**Variantes du produit**

ZX1822 : Radio Internet stéréo connectée IRS-350.bt 12 W avec écran couleur, fonction bluetooth et télécommande

ZX1823 : Radio Internet stéréo connectée IRS-350.bt 12 W avec écran couleur et fonction bluetooth

**Contenu**

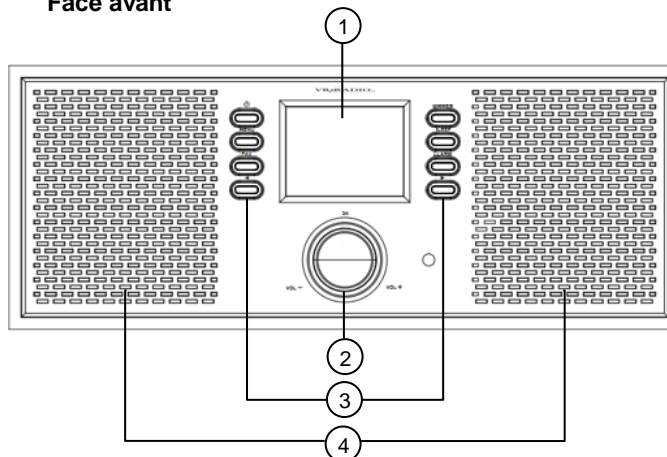
- Radio Internet
- Télécommande avec pile bouton (pour ZX1822 uniquement)
- Adaptateur secteur USB
- Mode d'emploi

**Application recommandée**

L'utilisation optimale du produit requiert une application capable d'établir une connexion entre votre radio Internet et votre appareil mobile. Pour cela, nous vous recommandons l'application gratuite **AirMusic Control**.

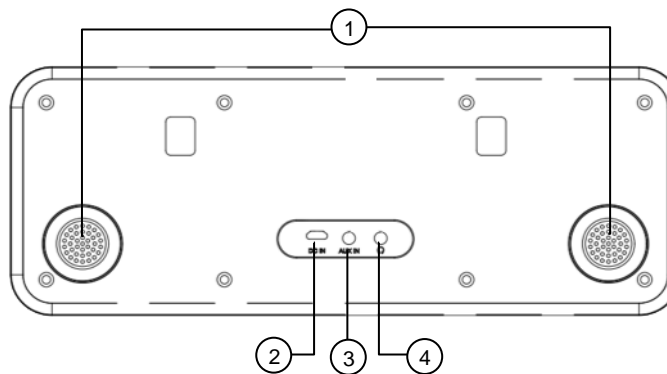
**Description du produit**

**Face avant**




- 1. Écran
- 3. Boutons de commandes
- 2. Bouton-poussoir rotatif
- 4. Haut-parleur

**Face arrière**



- 1. Sorties des enceintes arrière
- 3. Entrée AUX
- 2. Port Micro-USB
- 4. Sortie casque

**Caractéristiques techniques**

Alimentation	Radio Internet	5 V DC via USB
	Adaptateur secteur	100 – 240 V AC, 50/60 Hz
	Télécommande	1 pile bouton CR2025
Classe de protection III		Protection par basse tension
Version bluetooth		5.0
Standard wifi		IEEE 801.11b/g/n
Fréquence radio		2402 – 2480 MHz
Puissance d'émission		4 dBm
Puissance de sortie du haut-parleur		2 x 2 W (RMS)
Puissance de crête audio		12 W
Matériaux du boîtier		Bois, plastique
Dimensions de la radio		Env. 28 x 11,5 x 10,5 cm
Poids de la radio		Env. 1,2 kg

**Consignes de sécurité**

- Ce mode d'emploi vous permet de vous familiariser avec le fonctionnement du produit. Il comporte des informations importantes concernant l'utilisation, la sécurité et l'entretien de l'appareil. Conservez précieusement ce mode d'emploi afin de pouvoir le consulter en cas de besoin. Le cas échéant, transmettez-le à l'utilisateur suivant.
- Pour connaître les conditions de garantie, veuillez contacter votre revendeur. Veuillez également tenir compte des conditions générales de vente !
- Veuillez à utiliser le produit uniquement comme indiqué dans la notice. Une mauvaise utilisation peut endommager le produit ou son environnement.
- N'utilisez pas l'appareil à d'autres fins que celles pour lesquelles il est conçu.
- Respectez les consignes de sécurité lors de l'utilisation.
- Vérifiez le bon état de l'appareil, de ses câbles et de ses accessoires avant chaque utilisation.
- N'utilisez pas le produit s'il présente des dommages visibles.
- N'utilisez le produit qu'avec une prise secteur domestique. Vérifiez que la tension secteur indiquée sur la plaque signalétique correspond à celle de votre alimentation secteur.
- Veuillez à ne pas pincer le câble d'alimentation, ne l'exposez pas à des bords tranchants ou à des surfaces chaudes. Ne portez pas l'appareil par le câble pour le déplacer.
- Débranchez la fiche d'alimentation :
  - après chaque utilisation,
  - en cas de problème lors du fonctionnement,
  - avant tout nettoyage de l'appareil.
- Ne débranchez jamais la fiche avec des mains mouillées ou en tirant sur le câble.
- Cet appareil est conçu pour un usage domestique ou similaire uniquement. Cet appareil ne convient pas pour un usage industriel.
- Cet appareil est conçu pour une utilisation en intérieur uniquement.
- Veuillez à ce que l'appareil soit placé de façon stable lors de l'utilisation et que le câble ne constitue pas un obstacle sur lequel on pourrait trébucher.
- N'utilisez jamais l'appareil s'il présente un dysfonctionnement, s'il a été plongé dans l'eau, s'il est tombé ou a été endommagé d'une autre manière.
- Le démontage ou la modification du produit affecte sa sécurité. Attention, risque de blessure !

- Toute modification ou réparation de l'appareil ou de ses accessoires doit être effectuée exclusivement par le fabricant ou par un spécialiste dûment autorisé.
- La prise de courant à laquelle est branché l'appareil doit toujours être facilement accessible, pour que l'appareil puisse être rapidement débranché en cas d'urgence.
- N'ouvrez jamais le produit vous-même, sauf pour changer les piles. Ne tentez jamais de réparer vous-même le produit !
- Manipulez le produit avec précaution. Un coup, un choc, ou une chute, même de faible hauteur, peut l'endommager.
- N'exposez pas l'appareil à l'humidité ni à une chaleur extrême.
- Ne plongez jamais le produit dans l'eau ni dans aucun autre liquide.
- Retirez la pile de l'appareil avant de le ranger.
- Cet appareil n'est pas conçu pour être utilisé par des personnes (y compris les enfants) dont les capacités physiques, sensorielles ou mentales sont réduites, ou des personnes dénuées d'expérience ou de connaissance, sauf si elles ont pu bénéficier, par l'intermédiaire d'une personne responsable de leur sécurité, d'une surveillance ou d'instructions préalables concernant l'utilisation de l'appareil.
- Si le câble d'alimentation est endommagé, il doit être remplacé par le fabricant, son service après-vente ou des personnes de qualification similaire afin d'éviter tout danger. N'utilisez pas l'appareil tant que la réparation n'a pas été effectuée.
- Conservez le produit hors de la portée et de la vue des enfants.
- Surveillez les enfants pour vous assurer qu'ils ne jouent pas avec l'appareil.
- En raison des signaux bluetooth, veuillez à maintenir une distance de sécurité suffisante entre l'appareil et toute personne pourvue d'un stimulateur cardiaque. En cas de doute ou de questions, adressez-vous au fabricant du stimulateur cardiaque ou à votre médecin.
- N'utilisez pas ce produit à proximité d'appareils médicaux.
- Aucune garantie ne pourra être appliquée en cas de mauvaise utilisation.
- Le fabricant décline toute responsabilité en cas de dégâts matériels ou dommages (physiques ou moraux) dus à une mauvaise utilisation et/ou au non-respect des consignes de sécurité.
- Sous réserve de modification et d'erreur !

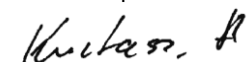
**Consignes importantes concernant le traitement des déchets**

Cet appareil électronique ne doit **PAS** être jeté dans la poubelle de déchets ménagers. Pour l'enlèvement approprié des déchets, veuillez vous adresser aux points de ramassage publics de votre municipalité.

Les détails concernant l'emplacement d'un tel point de ramassage et des éventuelles restrictions de quantité existantes par jour/mois/année, ainsi que sur des frais éventuels de collecte, sont disponibles dans votre municipalité.

**Déclaration de conformité**

La société PEARL GmbH déclare ces produits, ZX-1822 et ZX-1823, conformes aux directives actuelles suivantes du Parlement Européen : 2009/125/CE (du Parlement européen et du Conseil), établissant un cadre pour la fixation d'exigences en matière d'écoconception applicables aux produits liés à l'énergie, 2011/65/UE, relative à la limitation de l'utilisation de certaines substances dangereuses dans les équipements électriques et électroniques, 2014/30/UE, concernant la compatibilité électromagnétique, 2014/35/UE, concernant la mise à disposition sur le marché du matériel électrique destiné à être employé dans certaines limites de tension, et 2014/53/UE, concernant la mise à disposition sur le marché d'équipements radioélectriques.



Service Qualité  
Dipl. Ing. (FH) Andreas Kurtasz

La déclaration de conformité complète du produit est disponible en téléchargement à l'adresse <https://www.pearl.fr/support/notices> ou sur simple demande par courriel à [qualite@pearl.fr](mailto:qualite@pearl.fr).

**Contrat de licence logiciel libre**

Ce produit contient un logiciel distribué entièrement ou partiellement sous licence publique générale GNU, Version 2 (GPL). Puisqu'il s'agit d'un logiciel libre de droits, ses développeurs déclinent toute responsabilité en cas de dégâts ou dommages (physiques ou moraux) dus à une mauvaise utilisation. Veuillez noter que la garantie du matériel n'est bien entendu pas concernée.

L'intégralité du contrat de licence logiciel libre du produit est disponible en téléchargement à l'adresse <https://www.pearl.fr/support/notices>. Si vous avez des questions, n'hésitez pas à nous contacter. Pour cela, rendez-vous sur <https://www.pearl.fr>.